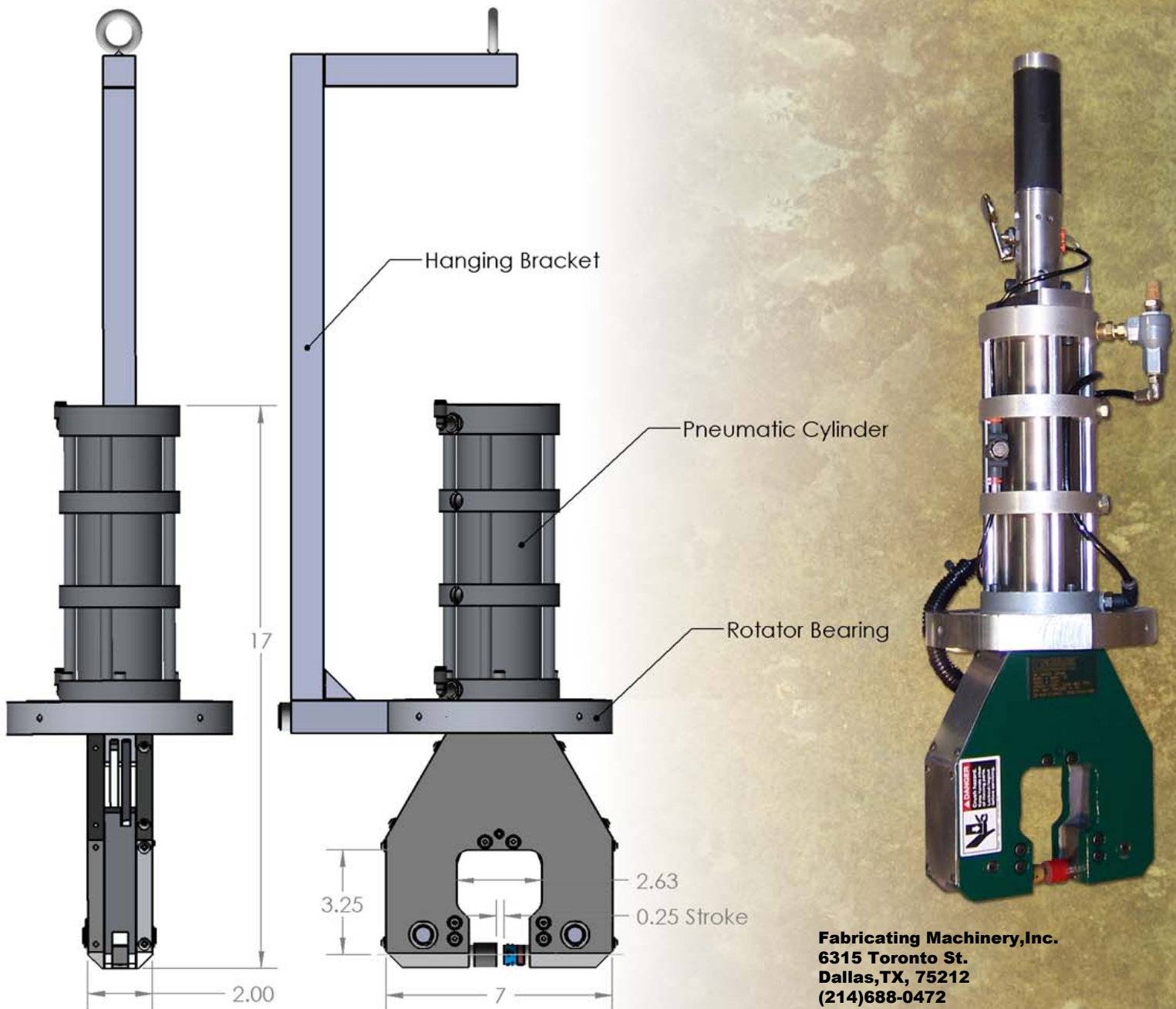


The Seam Flanger

The Seam Flanger from Norlok is a low cost, efficient solution for edge clinching, standing seams and other close access applications. The machine uses standard shop air only, with no hydraulic booster unit required. It includes a 360° rotating hanging bracket and all the tooling you need to fasten up to 16g mild steel.



Fabricating Machinery, Inc.
6315 Toronto St.
Dallas, TX, 75212
(214)688-0472
sales@fabmachine.com



26 Adams Boulevard, Brantford, Ontario, Canada N3S 7V2
519.759.5896 Fax: 519.759.2948
Email: info@norlok.com Web: www.norlok.com